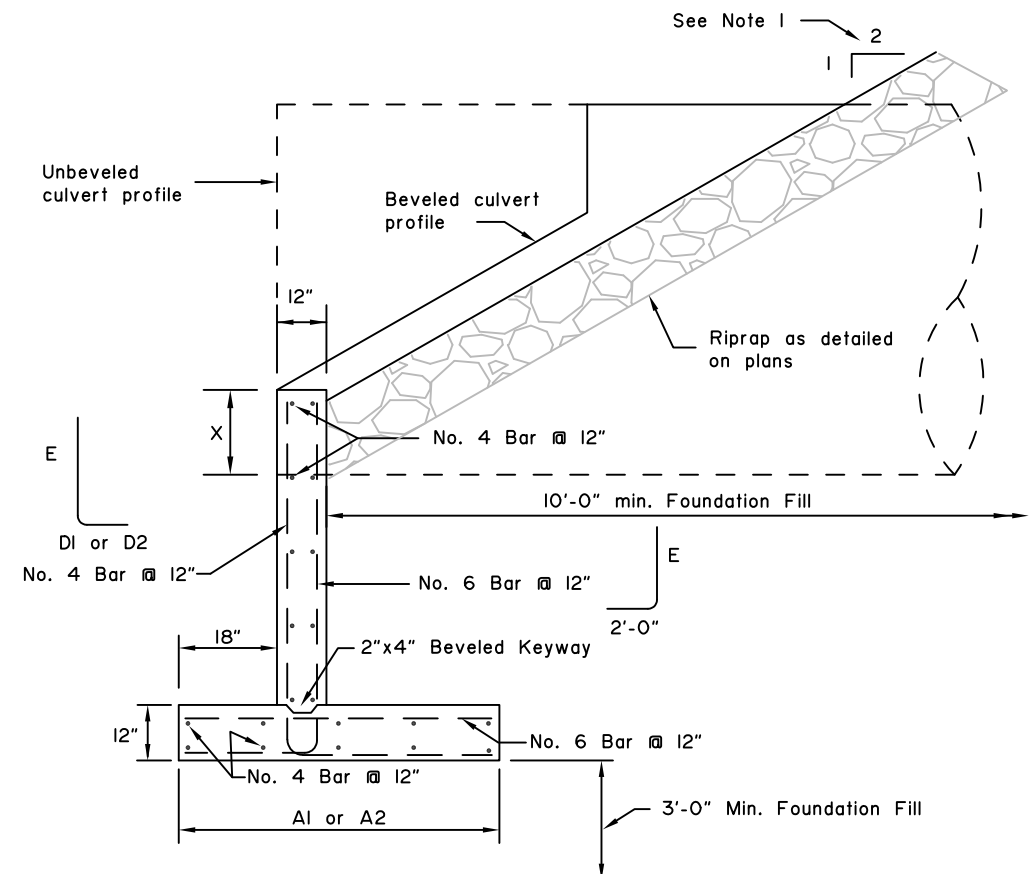
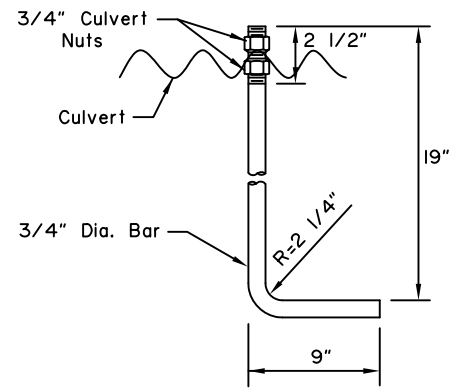


ELEVATION



SECTION A-A



HOOK BOLT

CORRUGATED METAL PIPE * SEE NOTE II							
Dia.	W	H	A1 *	A2 *	D1 *	D2 *	E
5'-0"	9'-0"	4'-0"	4'-0"	4'-0"	2'-0"	2'-0"	3'-6"
5'-6"	10'-0"	4'-6"	4'-0"	4'-0"	2'-0"	2'-0"	4'-0"
6'-0"	11'-0"	4'-6"	4'-0"	4'-0"	2'-0"	2'-0"	4'-0"
6'-6"	12'-0"	4'-6"	4'-0"	4'-0"	2'-0"	2'-0"	4'-0"
7'-0"	12'-6"	4'-6"	4'-0"	4'-0"	2'-0"	2'-0"	4'-0"
7'-6"	13'-6"	5'-0"	4'-6"	4'-0"	2'-6"	2'-0"	4'-6"
8'-0"	14'-6"	5'-0"	4'-6"	4'-0"	2'-6"	2'-0"	4'-6"
8'-6"	15'-6"	5'-0"	4'-6"	4'-0"	2'-6"	2'-0"	4'-6"
9'-0"	16'-6"	5'-6"	5'-0"	4'-0"	3'-0"	2'-0"	5'-0"
9'-6"	17'-0"	5'-6"	5'-0"	4'-0"	3'-0"	2'-0"	5'-0"
10'-0"	18'-0"	5'-6"	5'-0"	4'-0"	3'-0"	2'-0"	5'-0"
10'-6"	19'-0"	5'-6"	5'-0"	4'-0"	3'-0"	2'-0"	5'-0"
11'-0"	20'-0"	5'-6"	5'-0"	4'-0"	3'-0"	2'-0"	5'-0"

CORRUGATED METAL PIPE ARCH * SEE NOTE II								
SPAN	RISE	W	H	A1 *	A2 *	D1 *	D2 *	E
6'-1"	4'-7"	14'-0"	5'-0"	4'-6"	4'-0"	2'-6"	2'-0"	4'-6"
6'-4"	4'-9"	14'-6"	5'-0"	4'-6"	4'-0"	2'-6"	2'-0"	4'-6"
6'-9"	4'-11"	15'-0"	5'-0"	4'-6"	4'-0"	2'-6"	2'-0"	4'-6"
7'-0"	5'-1"	15'-6"	5'-0"	4'-6"	4'-0"	2'-6"	2'-0"	4'-6"
7'-3"	5'-3"	16'-0"	5'-0"	4'-6"	4'-0"	2'-6"	2'-0"	4'-6"
7'-8"	5'-5"	16'-6"	5'-0"	4'-6"	4'-0"	2'-6"	2'-0"	4'-6"
7'-11"	5'-7"	17'-0"	5'-0"	4'-6"	4'-0"	2'-6"	2'-0"	4'-6"
8'-2"	5'-9"	17'-6"	5'-0"	4'-6"	4'-0"	2'-6"	2'-0"	4'-6"
8'-7"	5'-11"	18'-0"	5'-0"	4'-6"	4'-0"	2'-6"	2'-0"	4'-6"
8'-10"	6'-1"	18'-6"	5'-0"	4'-6"	4'-0"	2'-6"	2'-0"	4'-6"
9'-4"	6'-3"	19'-0"	5'-0"	4'-6"	4'-0"	2'-6"	2'-0"	4'-6"
9'-6"	6'-5"	19'-6"	5'-0"	4'-6"	4'-0"	2'-6"	2'-0"	4'-6"
9'-9"	6'-7"	20'-0"	5'-0"	4'-6"	4'-0"	2'-6"	2'-0"	4'-6"
10'-3"	6'-9"	20'-6"	5'-0"	4'-6"	4'-0"	2'-6"	2'-0"	4'-6"
10'-8"	6'-11"	21'-0"	5'-6"	5'-0"	4'-0"	3'-0"	2'-0"	5'-0"
10'-11"	7'-1"	21'-6"	5'-6"	5'-0"	4'-0"	3'-0"	2'-0"	5'-0"

GENERAL NOTES:

- For use on 2:1 or flatter backfill slopes only.
- See plans for pipe beveling requirements. See Std. Dwg. D-07 for "X" dimension and culvert beveling geometry.
- Use Class A concrete.
- Use epoxy-coated ASTM A706, Grade 60 reinforcing steel $f_y=60,000$ psi.
- Place reinforcement 3" clear from surface of concrete unless otherwise noted.
- Chamfer all exposed concrete corners 3/4".
- If unsuitable foundation material is encountered, remove and backfill with Foundation Fill as directed by the Engineer.
- Furnishing and installing hook bolts in place is incidental to Class A concrete.
- Use galvanized ASTM A307 hook bolts and nuts. Torque culvert nuts to 140 ft-lbs.
- Headwalls for skewed culverts to be parallel to road centerline. See plans for dimensions of openings in headwalls for skewed culverts.
- For backfill soil with:
 $\phi=30^\circ, \gamma=130$ pcf
 Use A1 and D1
 $\phi=34^\circ, \gamma=135$ pcf
 Use A2 and D2

State of Alaska DOT&PF
ALASKA STANDARD PLAN

**HEADWALLS
PRECAST
TYPE I**

Adopted as an Alaska Standard Plan by: *Kenneth J. Fisher*
Kenneth J. Fisher, P.E.
Chief Engineer

Adoption Date: 02/08/2019

Last Code and Stds. Review By: _____ Date: _____

Next Code and Standards Review date: 02/08/2029